


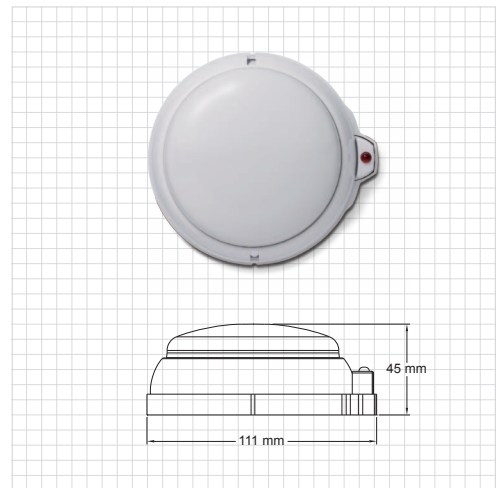
AHR-871

Mechanical Rate of Rise Heat Detector

Characteristics

- Heat-sensing diaphragm can operate for unlimited number of times and is not affected by room temperature. The conducting parts use gold coating to avoid oxidation.
- Uses alloy air equalizer to avoid humidity and stabilize the ventilation function. Alloy itself has many micro-holes that can expel non-fire heat to avoid false alarms.
- The unit is completely sealed; its function is not affected by humidity, dust or insects.
- This detector has passed strict quality control through automatic repetitive testing and been calibrated automatically under stable temperature and humidity conditions. Thus, quality and reliability are consistent from the first detector produced to millionth.

Approvals: 



Specifications			
Model	AHR-871		
Type	2-wire	3-wire	4-wire
Alarm Contact	N/A	N/A	0.8A @30V DC 0.4A @125V AC
Voltage Range	12 ~ 30V DC		
Alarm Current @24V DC 470Ω	40mA	40mA	35mA
Alarm Temperature	Comply to EN54		
Ambient Temperature	0°C ~ +55°C		
Material	Fire-proof plastic		
Dimensions	111mm(Dia.) x 45mm(H)		
Weight	About 130g		
Color	White		

Effective alert area		
Construction/Height	Under 4M	4M ~ 8M
Fire-proof Building	90 M ²	45 M ²
Ordinary Building	50 M ²	30 M ²